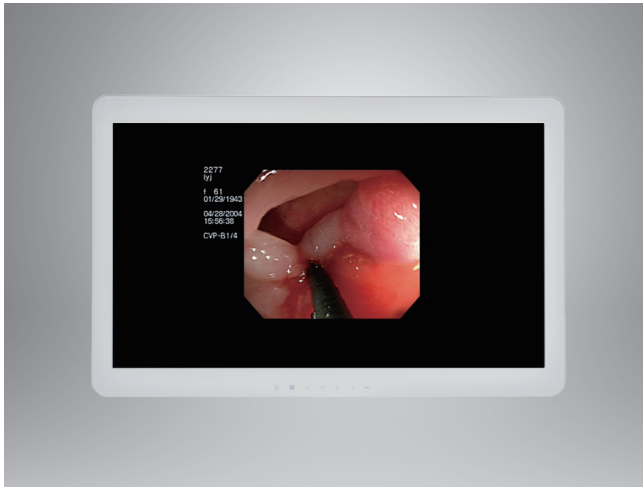


KT-E270Z

27" Ultra HD Surgical Monitor



Features

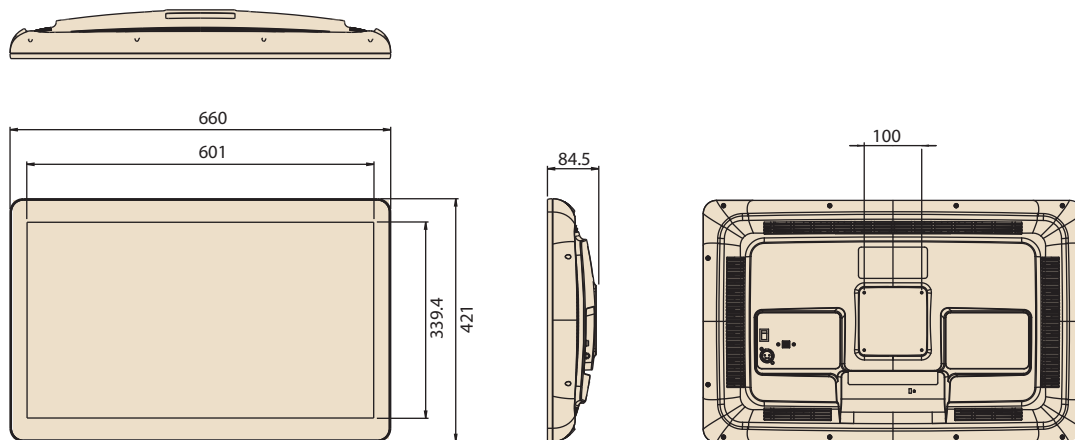
- 27" widescreen with Ultra HD 4K resolution
- Environmentally-friendly LED backlight
- 14-bit LUT (Look Up Table) processing
- DICOM Part 14 compliant
- Multi-modality input system

Specifications

Display	Screen Size (Active Area)	27" (596.36(H) x 335.34(V) or 596.74(H) x 335.66(V) [mm])
	Aspect ratio	16:9
	Number of Pixels	3840(H) x 2160(V)
	Pixel Pitch	0.15525(H) x 0.15525(V) or 0.1554(H) x 0.1554(V) [mm]
	Displayable Colors	1.07 billion (10-bit)
	Brightness (Typical)	800 cd/m ² or 350 cd/m ²
	Contrast Ratio (Typical)	1,000:1
	Display Mode	AHVA or IPS
	Response Time (Typical)	16ms (Tr+Tr) or 14ms (Gray to Gray)
	Viewing Angle (H/V)	178/178
	Touchscreen	P-CAP (Optional)
Protection	AR-coated Glass	
Power	Power Supply	DC24V, 6.25A (MAX)
	Power Consumption (Typical)	79.9W or 45.7W
Environment	Temperature	Operational: 0 ~ 40 °C Storage: -20 ~ 60 °C
	Humidity	Operational: Ta = 40 °C , 85% RH Storage MAX 85% RH, Ta = 40 °C
	Altitude	Operational: 0 ~ 16,400 feet (5,000m) Storage/Shipment: 0 ~ 40,000 feet (12,192m)
IP Rating	Front	IP65
	Top	IPX2
Physical Characteristics	Dimension w/o stand	660(W) x 421(H) x 84.5(D) mm
	Net Weight w/o stand	7.9 kg or 7.7 kg
	VESA Mount	100 x 100mm
Features	Grayscale Performance	14-bit LUT (Look Up Table) processing
	DICOM	Standard GSDF included (DICOM Part 14 Compliant)
		Clear, Blue Mode support Variable Gamma and DICOM (Color Temp) mode
Signals	Input	Displayport (1.2) x1, HDMI (1.4) x4, HDMI (2.0) x1
	Output	-
	Option	4K (HD, 3G, 6G) SDI (BNC) x1
Certifications		CE MDD 93/42/EEC (EN60601-1:2006; EN60601-1-2:2007), RoHS II
Warranty		3 years

Dimensions

Unit: mm



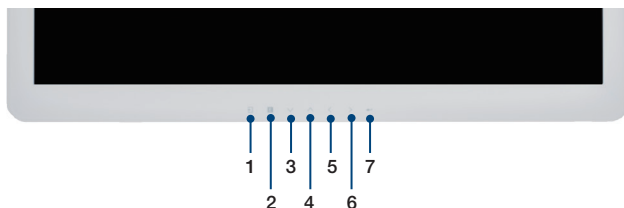
Order Information

Part Number	Resolution	Brightness	Touchscreen
KT-E270ZLEQBTF	3840 x 2160	800 cd/m ²	No
KT-E270ZLEQJTF	3840 x 2160	800 cd/m ²	P-CAP
KT-E270ZLEPBTF	3840 x 2160	350 cd/m ²	No
KT-E270ZLEPJTF	3840 x 2160	350 cd/m ²	P-CAP

Accessories

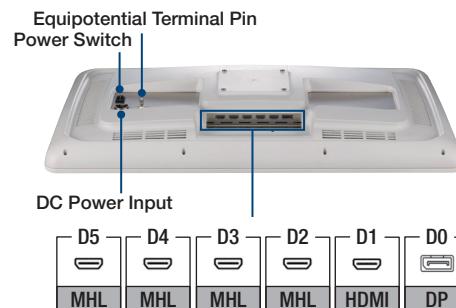
Accessories	Specifications
Standard	Owner's Instruction, Adapter AC/DC, Power Cord
Option	Stand, DP Cable, HDMI Cable

Front Function Keys



- (1) Exit Button
- (2) PIP Button
- (3) Down Button
- (4) Up Button
- (5) Left Button
- (6) Right Button
- (7) Menu/Enter Button

I/O Ports



I/O Ports		Specifications
DC Power Input	DC Jack x 1	DC24V, 6.25A(MAX)
HDMI 2.0 Input	HDMI Jack x 1 (Type A)	Digital RGB : TMDS MAX : 3840 x 2160 / 60 Hz
DP 1.2 Input	DP Jack x 1	DisplayPort 1.2 MAX : 3840 x 2160 / 60 Hz
HDMI 1.4 Input	HDMI Jack x 4 (Type A)	Digital RGB : TMDS MAX : 3840 x 2160 / 30 Hz